



شركة الخدمات البحرية المحدودة
MARINE SERVICES CO., LTD.



Thoracic Surgery Instruments

h

Precision • Quality • Reliability

Thoracic Surgery Instruments

1. Thoracic Retractors
2. Rib Spreaders
3. Sternotomy Spreaders
4. Rib Holding Forceps
5. Rib Shears
6. Rib Raspatories
7. Rib Spreaders & Contractors

ISO 13485 AND CE

Manufactured & supplied in compliance with international medical standards.

Thoracic Retractors



MES-17-414
Blades
75x75 mm



MES-17-415
Blades:
42x65 mm

Blades with Ball Snap System
Delivery: in Pairs

MES-17-413 - 415
Thoraxsperrer (Mercedes-Sperrer)
complete consisting of:

- MES-17-413 Retractor only**
- MES-17-414 1 Pair of blades 42x65 mm**
- MES-17-415 1 Pair of blades 75x75 mm**

[Back to index](#)

Rib Spreaders



MES-17-388
FINOCHIETTO
18X21 mm



MES-17-389
HERTZLER
20X25 mm



MES-17-390
TUFFIER
Blades
43X53 mm



MES-17-391
FINOCHIETTO
Blades
36X45 mm

Rib Spreaders



MES-17-392
FINOCHIETTO
Blades
44X65 mm



MES-17-393
FINOCHIETTO
Blades
65X65 mm

[Back to index](#)

Rib Spreaders



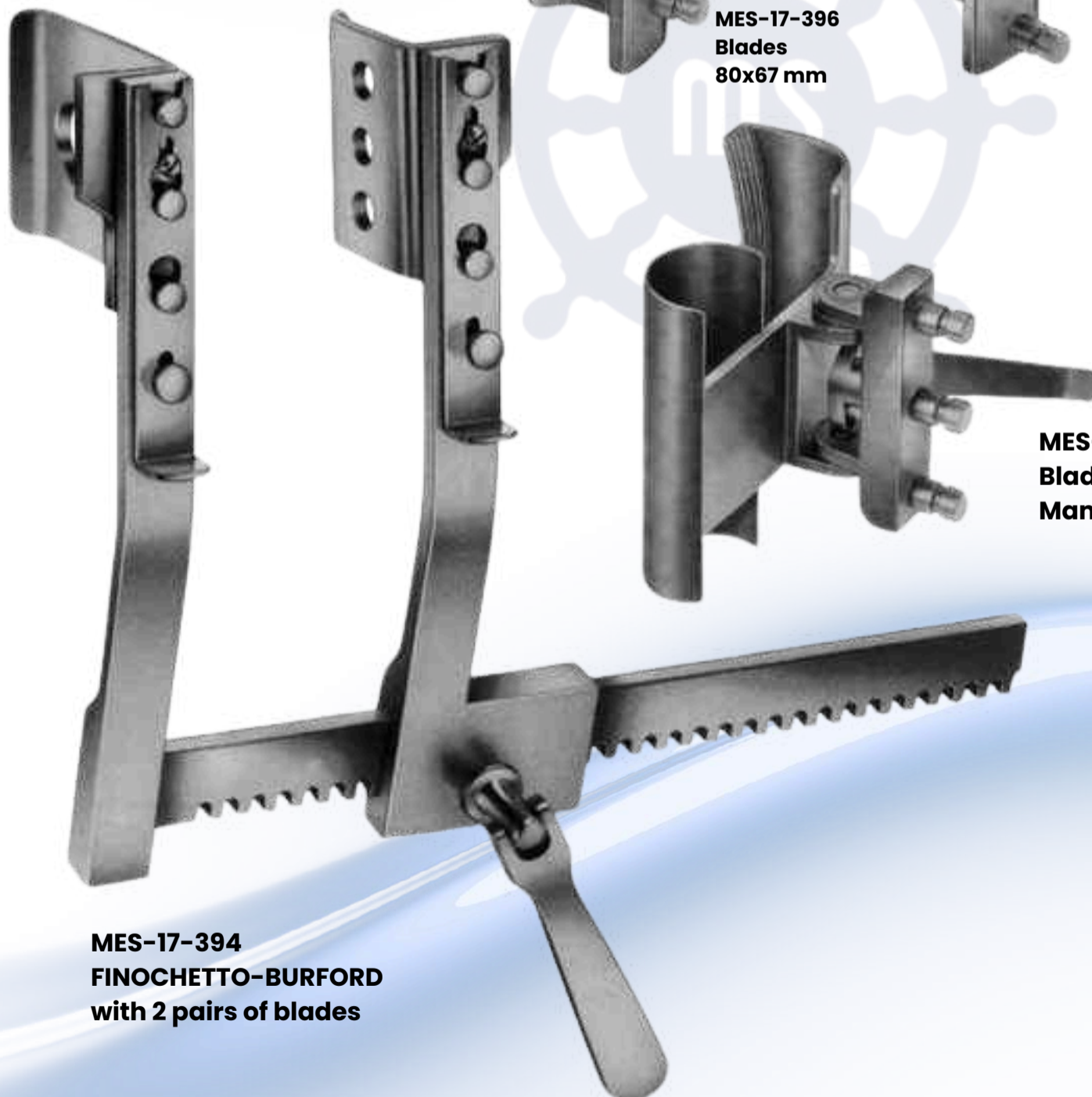
MES-17-395
Blades
46x67 mm



MES-17-397
Blades
46x67 mm



MES-17-396
Blades
80x67 mm



MES-17-394
FINOCHETTO-BURFORD
with 2 pairs of blades

MES-17-398
Blade, Only. for preparation of a.
Mammaria, 25.5x80mm

Rib Spreaders



MES-17-399 - 402
DE-BAKEY
 with 3 pairs of blades



MES-17-400
Blades
 30x30 mm



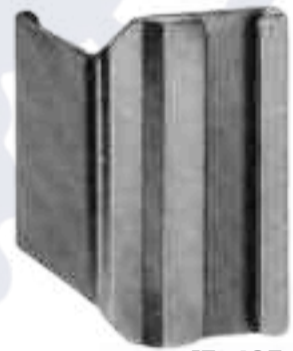
MES-17-401
Blades
 40x40 mm



MES-17-402
Blades
 50x50 mm



MES-17-404
Blades
 50x80 mm



MES-17-405
Blades
 80x60 mm



MES-17-406
Blades
 50x80 mm



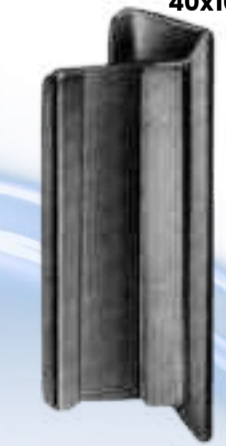
MES-17-407
Blades
 40x100 mm



MES-17-403 - 408
DE-BAKEY
 with 3 pairs of blades



MES-17-408
Sterotomy Blades
 50x660 mm



[Back to index](#)

Sternotomy Spreaders



MES-17-409
MORSE
Sternotomy spreader
for children, with
moveable double,
each blade 12x20 mm



MES-17-410
MORSE
Sternotomy spreader
for adults, with
moveable double, each
blade 19x19 mm

[Back to index](#)

Sternotomy Spreaders



MES-17-411
COOLEY
Blades for children
21x45mm



MES-17-412
COOLEY
Blades for children
32x50mm

Rib Holding Forceps, Bone Cutting Forceps



MES-17-362
SEMB
 Rib-and Bone
 Holding forceps
 190 mm



MES-17-363
SEMB
 Rib-and Bone
 Holding forceps
 190 mm



MES-17-364
LISTON-STILLE
 265 mm



MES-17-365
LISTON-KEY-HORSLEY
 255 mm



MES-17-366
SEME
 Rib Rongeur to
 shorten the rib
 stumps
 240 mm



MES-17-367-368
SAUERDRUCH-CORYLLOS
 Rib rongeurs to shorten
 the rib stumps
 310 mm



MES-17-369
MARKWALDER
 Rib Rongeur to Round the
 rib stumps
 190 mm



Rib Shears



MES-17-354
SCHUMACHER
 Sternum shears
 210 mm



MES-17-355
LEBSCHKE
 Sternum chisel
 200 mm.



MES-17-356
 230 mm



MES-17-357
COLLIN
 195 mm



MES-17-358
GLUCK
 190 mm



MES-17-359
GLUCK
 190 mm



MES-17-360
BRUNNER
 Universal Pattern
 340 mm



MES-17-361
GIERTZ-STILLE
 250 mm

[Back to index](#)

Rib Raspatories



Rib Raspatories



MES-17-376 190 mm MES-17-377 MES-17-378 MES-17-379 MES-17-380

17-376 - 380
 SEMB
 230 mm

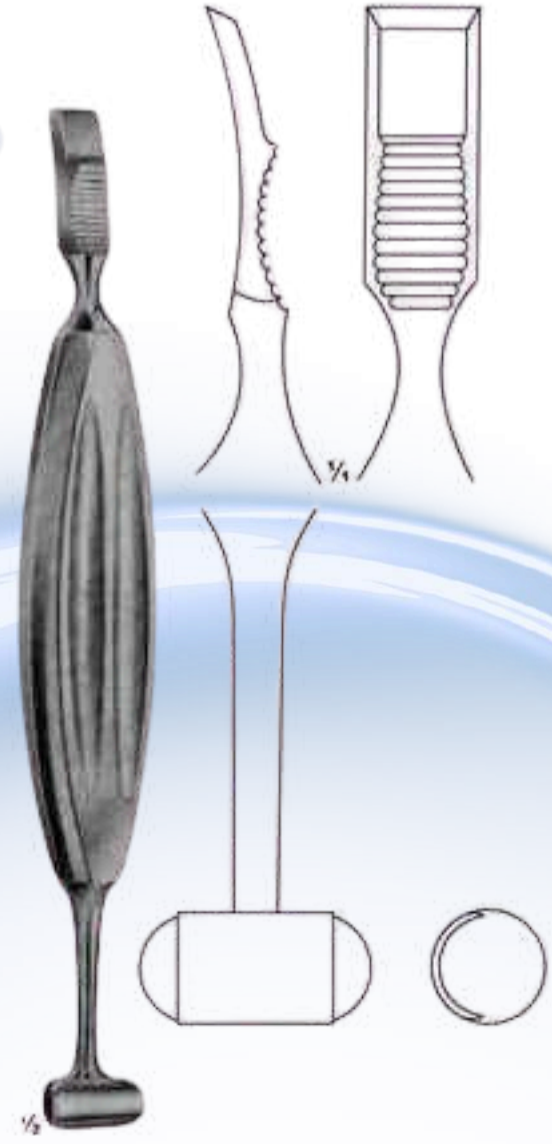


MES-17-381
 LANGENBECK
 190 mm



MES-17-382 - 386
 LAMBOTTE
 215 mm

MES-17-382 5 mm
 MES-17-383 10 mm
 MES-17-384 15 mm
 MES-17-385 20 mm
 MES-17-386 25mm



MES-17-387
 ALEXANDER
 210 mm

[Back to index](#)

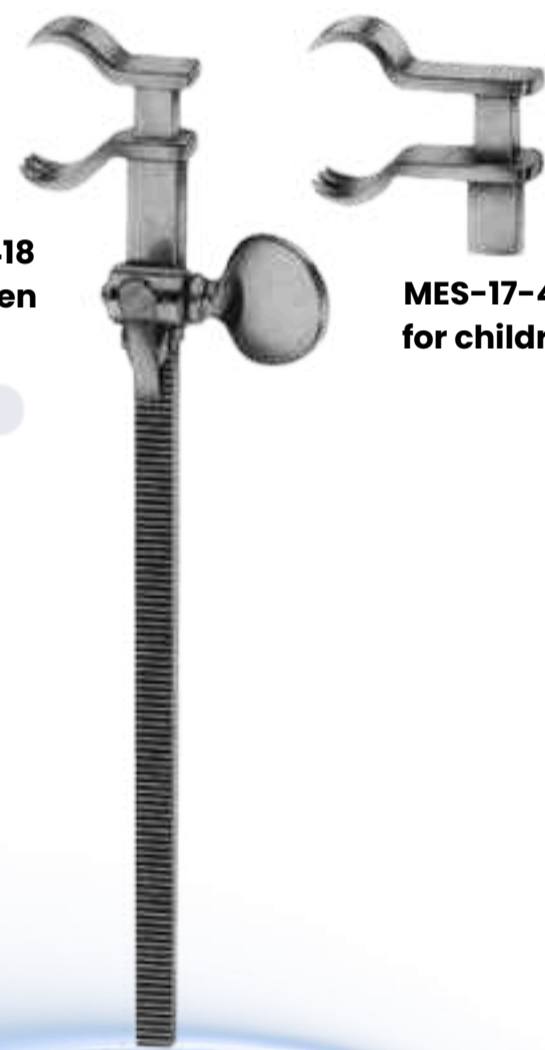
Rib Spreaders-and Contractors



MES-17-416
SELLORS
Rib spreader-and
contractor with swivel
blades
200 mm



MES-17-417
BAILEY
200mm



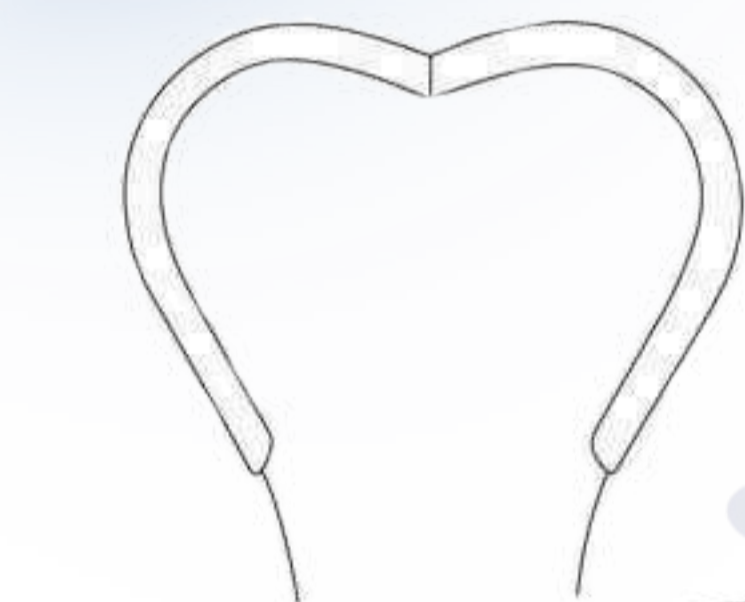
MES-17-418
for children



MES-17-419
for children

MES-17-418 - 419
BAILEY
200mm

Rib Spreaders-and Contractors



MES-17-420
HARRINGTON-PEMBERTON
federnd/flexible
295 mm



MES-17-421
DAVIDSON
Scalpel haken

[Back to index](#)

Rib Spreaders-and Contractors



MES-17-422
ALLISON
 255 mm

MES-17-423
ALLISON
 320 mm

Φ 6-10 mm

MES-17-424
DE BAKEY
 With central bore,
 3.0mm diam. with
 lateral siots
 275 mm

Φ 7-9 mm

MES-17-425
YANKAUER
 With central bore,
 2.0mm diam.
 285 mm

[Back to index](#)