



شركة الخدمات البحرية المحدودة  
MARINE SERVICES CO., LTD.



# Orthopedic Implant & Wire Instruments

h

Precision • Quality • Reliability

## Orthopedic Implant & Wire Instruments

1. Wire Cutters & Wire Cutting Scissors
2. Wire Cutting Pliers
3. Wire Holding Forceps
4. Cerclage Instruments
5. Drilling Chucks
6. Steinmann Pins
7. Traction Bows & Distractors
8. Wire Extension
9. Wire Saws with Conductor
10. Jordan Instruments for Tibia Cerclage

ISO 13485 AND CE

Manufactured & supplied in compliance with international medical standards.

## Wire Cutters and wire Cutting Scissors

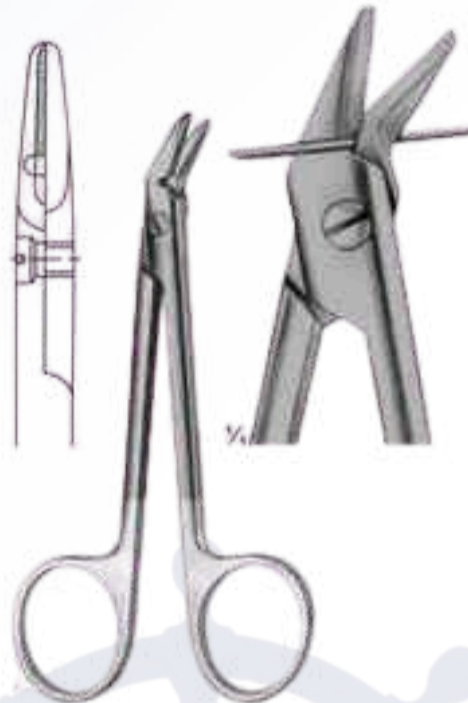


**MES-23-185**  
**ANGLE**  
**130 mm**

for soft wire up to  
 diam. for hard  
 wire up to diam.

**MES-23-186**  
**DUROTIP**  
**ANGLE**  
**130 mm**

0,5 mm      0,6 mm  
 0,3 mm      0,4 mm



**MES-23-187**  
**120 mm**

for soft wire up to  
 diam. for hard  
 wire up to diam.

**MES-23-188**  
**DUROTIP**  
**120 mm**

1,2 mm      1,2 mm  
 0,8 mm      0,8 mm



**MES-23-189**  
**HARVEY**  
**125 mm**

0,4 mm  
 0,3 mm



**MES-23-190**  
**150 mm**

for soft wire up to  
 diam. for hard  
 wire up to diam.

1,5 mm  
 1,0 mm



**MES-23-191**  
**160 mm**

1,5 mm  
 1,2 mm



**MES-23-192**  
**140 mm**

1,5 mm  
 1,0 mm

## Wire Cutting Pliers, Lateral Cutting Action



**MES-23-193**  
180 mm

for soft wire up to diam.  
 For hard wire up to diam  
 specially hardened cutting edges, front and lateral cutting action  
 2,0 mm  
 1,5 mm

**MES-23-194**  
**REILL**  
175 mm

for soft wire up to diam.  
 For hard wire up to diam  
 specially hardened cutting edges, for cutting off wires close to the bone  
 2,0 mm  
 1,6 mm

**MES-23-195**  
235 mm

for soft wire up to diam. 3,0 mm  
 For hard wire 2,2 mm up to diam

[Back to index](#)

## Wire Cutting Pliers, Lateral Cutting Action



**MES-23-193**  
180 mm

for soft wire up to diam.  
 For hard wire up to diam  
 specially hardened cutting edges, front and lateral cutting action  
 2,0 mm  
 1,5 mm

**MES-23-194**  
**REILL**  
175 mm

for soft wire up to diam.  
 For hard wire up to diam  
 specially hardened cutting edges, for cutting off wires close to the bone  
 2,0 mm  
 1,6 mm

**MES-23-195**  
235 mm

for soft wire up to diam. 3,0 mm  
 For hard wire 2,2 mm up to diam

## Wire Cutting Pliers



**MES-23-200**  
320 mm

for soft wire up to diam. 3,0 mm  
For hard wire up to diam 3,0 mm

Cutter for cutting off  
KIRSCHNER wires,  
Tibia head screws,  
bolts, pins, up to 3  
mm diam.



Durotip

**MES-23-201**  
**Cutter for cutting off**  
**KIRSCHNER wires,**  
**Tibia head screws.**  
**bolts, pins, up to 6mm**  
**diam.**  
**470mm**

## Wire Holding forceps, Wire Tightening Pliers, Flat-nosed Pliers



**MES-23-167**  
**DUROGRIP**  
 Holding forceps for cerclage wire,  
 with lateral jaws to avoid wire  
 slipping off  
 170 mm



**MES-23-168**  
**DUROGRIP**  
 Wire, tightening pliers,  
 Ligature pliers  
 150 mm



**MES-23-169**  
**DUROGRIP**  
 Wire, tightening pliers  
 Ligature pliers  
 150mm



**MES-23-170**  
 with serrated jaws  
 140 mm



**MES-23-171**  
 one jaws smooth.  
 one jaws serrated  
 140 mi



MES-23-172

MES-23-173

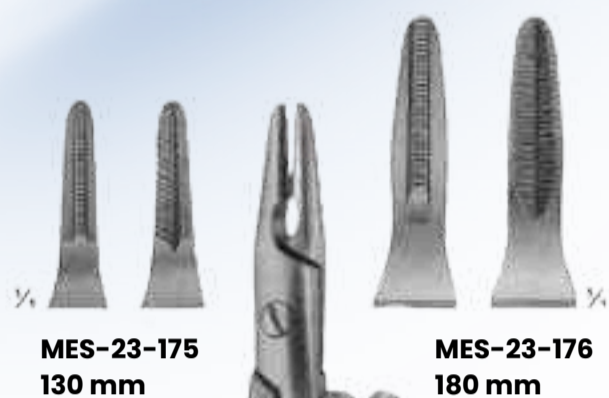


**MES-23-172**  
 with serrated jaws  
**MES-23-173**  
 with longitudinal and] transversal grooves  
 170 mm.



**MES-23-174**  
 190 mm

## Wire Holding forceps, Flat-nosed Pliers, Pliers for bending and cutting wires



MES-23-175  
130 mm

MES-23-176  
180 mm



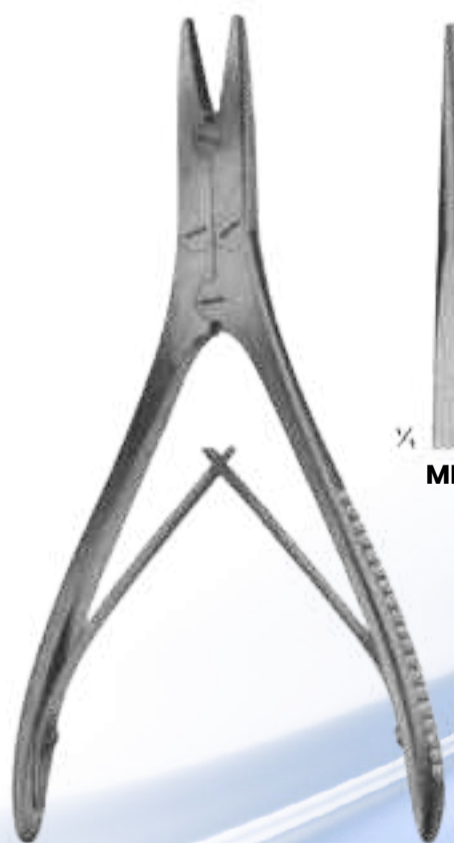
MES-23-175 - 176  
Extraction pliers  
for boring wires



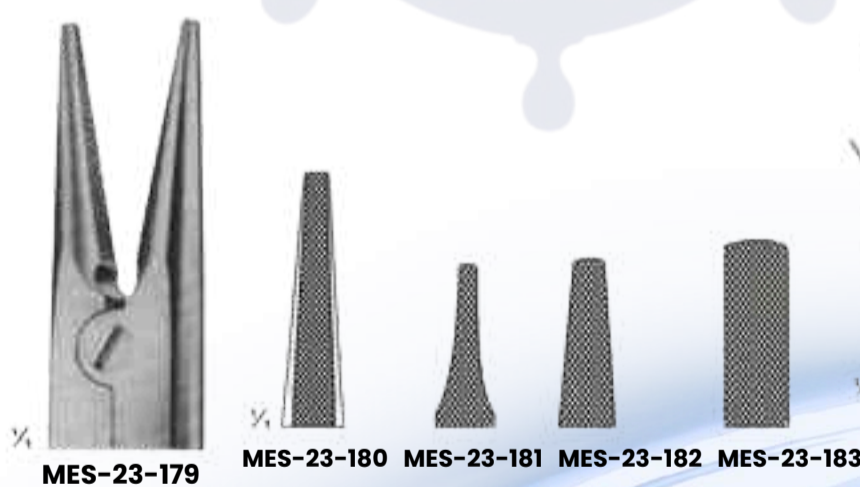
MES-23-177  
Flat-nosed pliers.  
parallel  
185 mm



MES-23-178  
Vise grip  
200mm



MES-23-179 - 183  
Round pliers  
180 mm



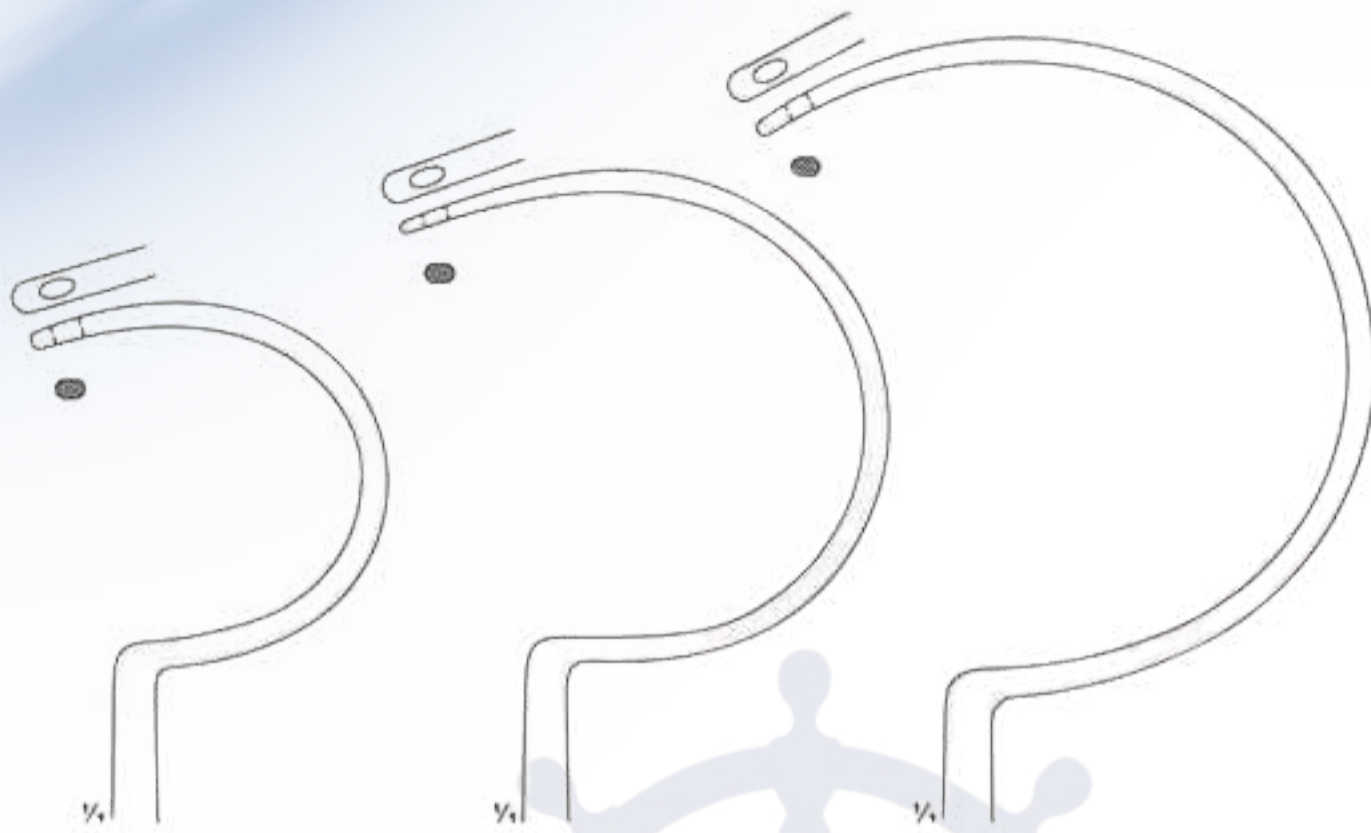
MES-23-180  
MES-23-181 145 mm  
MES-23-182 180 mm  
MES-23-183 180 mm

Extraction pliers for wites



MES-23-184  
Bending pliers for  
wires up to 1.8 mm  
diam.

## Cerclage Instruments



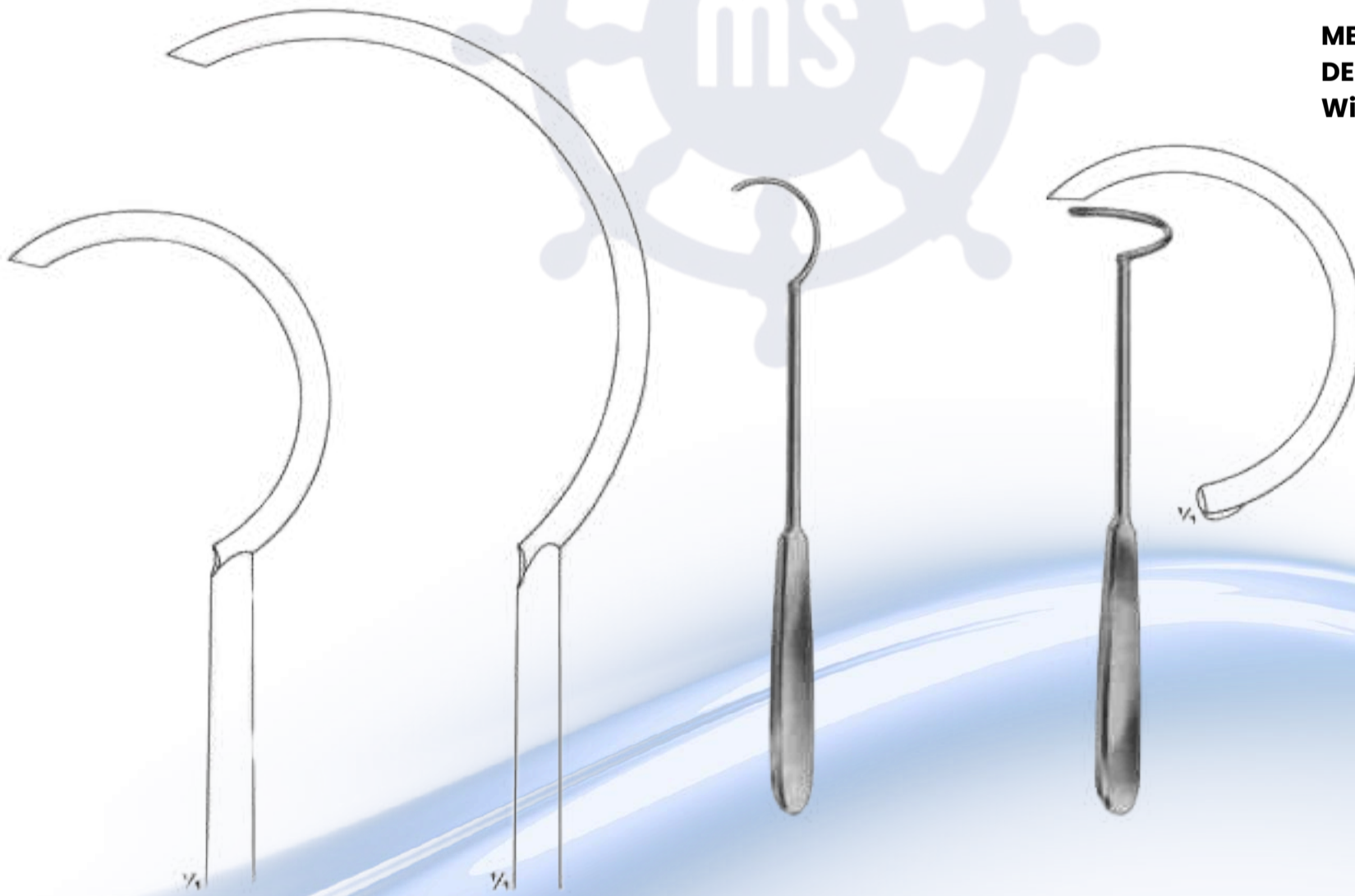
**MES-23-157**  
275 mm

**MES-23-158**  
285 mm

**MES-23-159**  
305 mm



**MES-23-157 - 159**  
**DEMEL**  
**Wire guides**



**MES-23-160**  
240 mm

**MES-23-161**  
270 mm

**MES-23-162**  
225 mm

## Drilling Chucks



**MES-23-150**  
**REILL**  
 Drilling chuck  
 cannulated  
 for shanks from  
 2.0 - 2.5 mm diam  
 115 mm



**MES-23-151**  
 rilling chuck  
 annulated  
 for shanks from  
 0.8 - 2.0 mm diam  
 150 mm



**MES-23-152**  
 Drilling chuck,  
 cannulated.  
 for shanks up to 4.5mm  
 diam with key 140 mm



**MES-23-153**  
**LOUTE**  
 Wire tightener, improved  
 pattern. with movable tip.  
 for wires up to 1.0mm diam.  
 220 mm



**MES-23-154**  
 Drilling chuck, cannulated, for  
 shanks up to 6.35 mm diam..  
 To be tightened by hand  
 100 mm



**MES-23-155**  
 Drilling chuck, cannulated for  
 shanks up to 4.5 mm diam..  
 And for triangular shaft width  
 across flats 4.7 mm



**MES-23-156**  
 Drilling chuck, cannulated. for shanks  
 up to 6.35.mm diam., With key 160 mm

[Back to index](#)

## STEINMANN Pins



**23-133 - 147**  
**STEINMANN**  
 triangular shaft ended and  
 trocar point

Length	4,0 mm	5,0 mm
80 mm	MES-23-33	
100 mm	MES-23-34	
120 mm	MES-23-35	
140 mm	MES-23-36	
150 mm	MES-23-37	MES-23-43
160 mm	MES-23-38	
180 mm	MES-23-39	MES-23-44
200 mm	MES-23-40	MES-23-45
210 mm	MES-23-41	
250 mm	MES-23-42	MES-23-46
300 mm		MES-23-47



**MES-23-148**  
 Protection cap  
 for 4,0mm STEINMANN Pins



**MES-23-149**  
 Protection cap  
 for 5,0mm STEINMANN Pins

## Traction Bows, Distractor

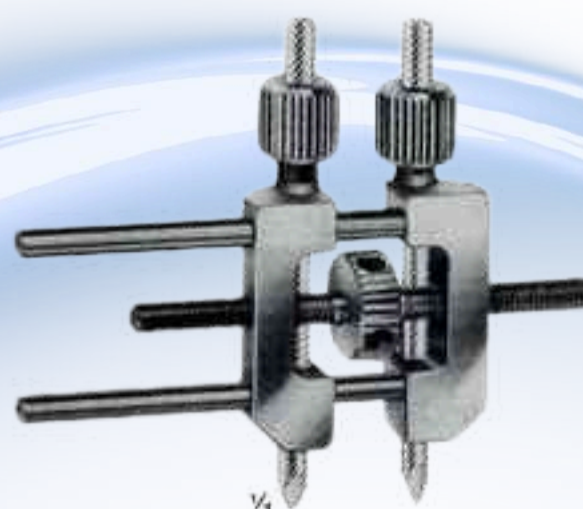


Steinmann pins, 4 mm daim.		Steinmann pins, 5 mm daim.	
MES-23-123	with pin		16x9cm Arm
MES-23-124	without pin	23-129	without
MES-23-125	with pin		21x11cm Arm
MES-23-126	without pin	23-130	without
MES-23-127	with pin		21x15cm Arm
MES-23-128	without pin		

**MES-23-123 - 130**  
**Screw driver, for above**  
**fixations discs**



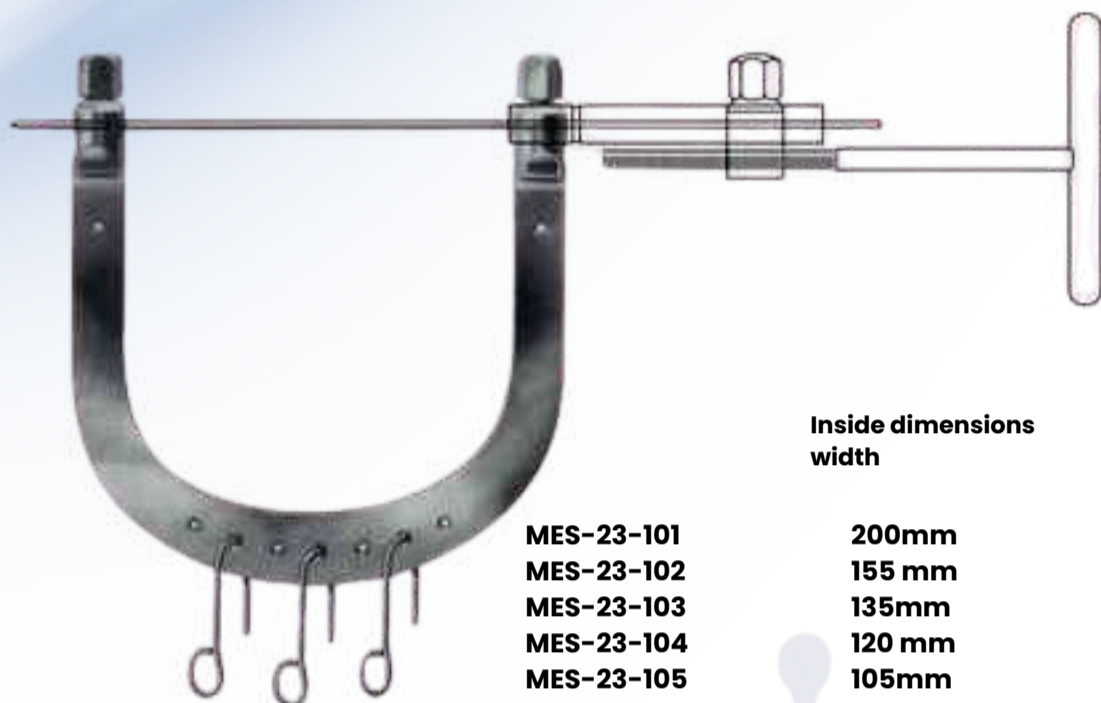
**MES-23-131**  
**SCHWARZ**  
**Traction bow for fingers to**  
**be used with KIRSCHNER-**  
**wite up to 1.6 mm diam.**



**MES- 23-132**  
**Small distractor**  
**as a repositioning device for**  
**distraction and compression**  
**of small bones; for wires with**  
**3.0mm diam.**

[Back to index](#)

## Wire Extension



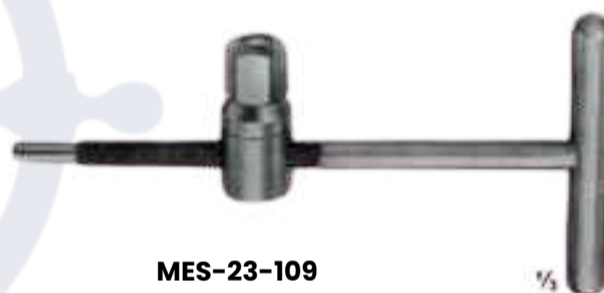
**MES-23-101 - 107**  
**KIRSCHNER**  
 Wire traction bows.  
 to be used with  
 KIRSCHNER-wires up  
 to 2.5 mm diam.,  
 With 3 hooks,  
 stainless steel

Inside dimensions  
 width                      depth

MES-23-101	200mm	155 mm
MES-23-102	155 mm	155 mm
MES-23-103	135mm	130 mm
MES-23-104	120 mm	120 mm
MES-23-105	105mm	100 mm
MES-23-106	95 mm	110mm
MES-23-107	95 mm	70 mm



**MES-23-108**  
 Wrench, double - ended, for wire  
 traction bows



**MES-23-109**  
 Wire tightener, with clamping jaws



**MES-23-110**  
 Traction hook  
 only, large size

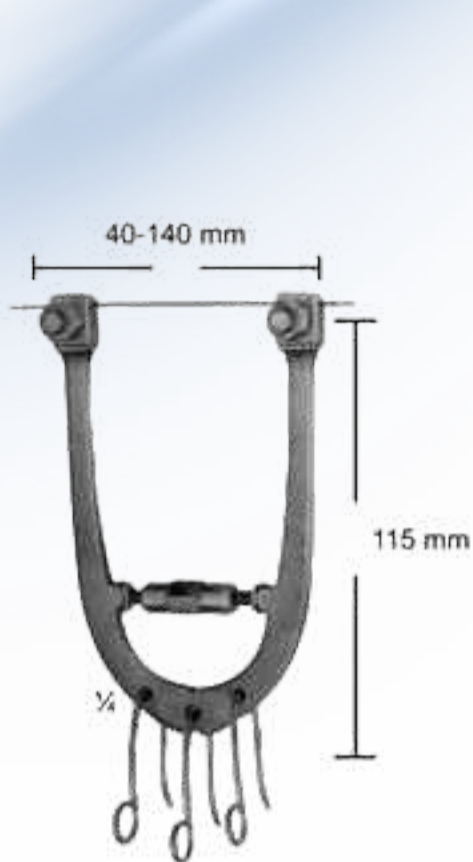


**MES-23-111**  
 Traction hook  
 only. small size

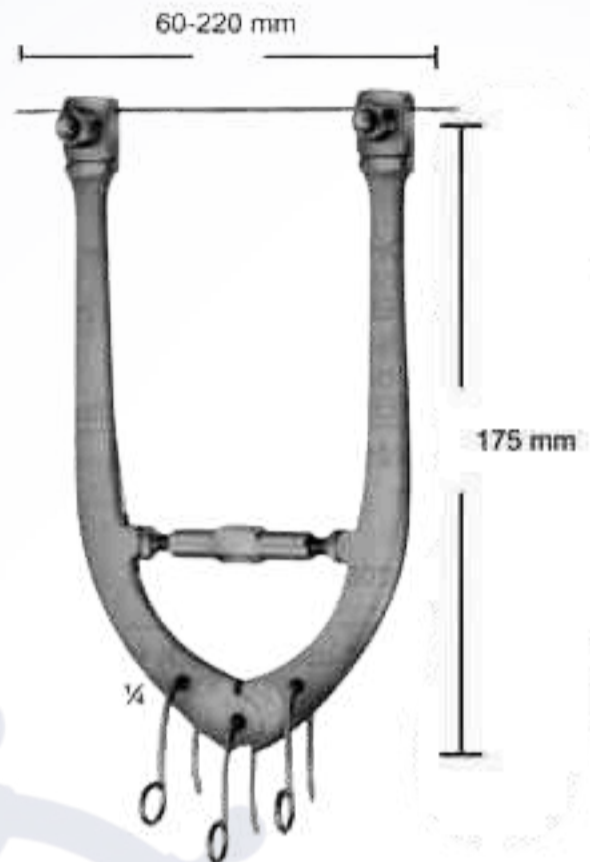


**MES-23-112**  
 Fixation clamp, to secure clamping  
 jaws of stainless steel

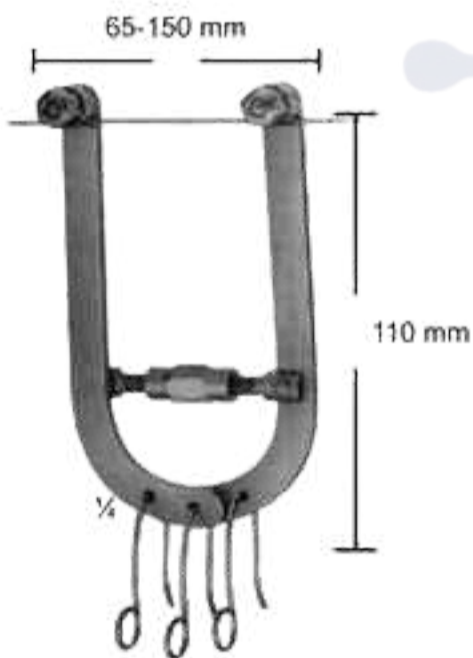
## Wire Extension



**MES-23-113**  
Wire traction bow, adjustable, with 3 hooks, small size



**MES-23-114**  
Wire traction bow, adjustable, with 3 hooks, large size



**MES-23-115**  
Wire traction bow, adjustable, with 3 hooks, large size for elbow and calcaneus, for adolescents



**MES-23-116** 105 mm  
**MES-23-117** 160 mm  
**MES-23-118** 200 mm

**MES-23-116** 1,6 mm  
**MES-23-117** 2,0 mm  
**MES-23-118** 2,5 mm

**MES-23-116-118**  
**KIRSCHNER**  
Wire traction bow. modified adjustable in width, holds wire securely, with 1 hook



**MES-23-119**  
Fixation disc, slotted



**MES-23-121**  
Fixation disc, slotted



**MES-23-120**  
idem, aluminum, transparent to X-rays



**MES-23-122**  
Screw driver, for above fixations discs

## Wire Saws and Conductor



**OLIVECRONA**  
 MES-19-134 300 mm  
 MES-19-135 400 mm  
 MES-19-136 500 mm  
 MES-19-137 700 mm

**GIGLI**  
 MES-19-138 300 mm  
 MES-19-139 400 mm  
 MES-19-140 500 mm  
 fine, 6 wires twisted  
 MES-19-141  
 coares, 4 wires twisted

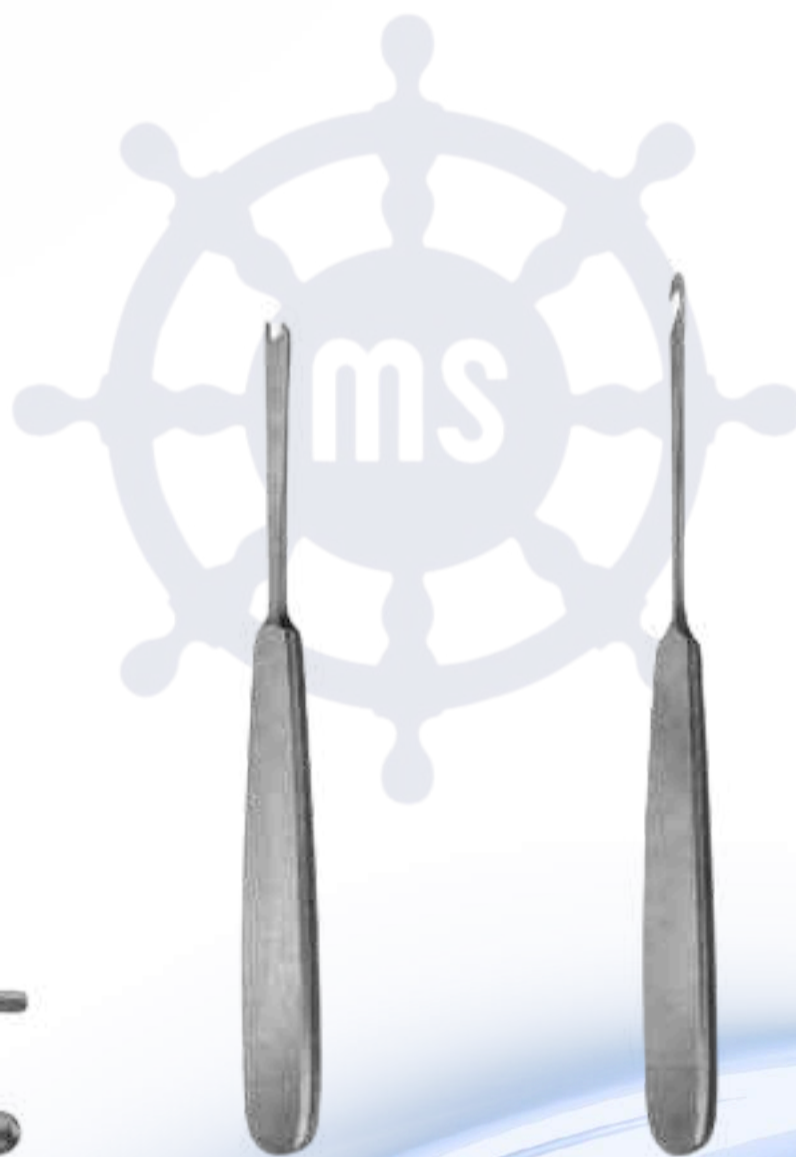
**MES-19-142**  
**GIGLI**  
 Handle

**MES-19-143**  
**LEBSCHKE**  
 Conductor for wire  
 saws, malleable  
 250 mm

## JORDAN instruments for subcutaneous Tibia Cerclage



**MES-23-163**  
**JORDAN**  
**Wire tightener**



**MES-23-164**  
**JORDAN**  
**Wire twister**  
**170 mm**



**MES-23-165**  
**JORDAN**  
**Wire catcher**  
**180 mm**



**MES-23-166**  
**JORDAN**  
**Probe, cannulated**  
**170 mm**