



شركة الخدمات البحرية المحدودة  
MARINE SERVICES CO., LTD.



# Impression & Laboratory Instruments

Precision • Quality • Reliability

## Impression & Laboratory Instruments

- Stainless Steel Impression Trays
- Spatulas for Plaster and Alginate
- Plaster Knives
- Modelling Instruments
- Articulators

ISO 13485 AND CE

Manufactured & supplied in compliance with international medical standards.

## Stainless Steel Impression Trays



**MED -3316**  
"HYDRO-LOCK"  
stainless steel water-  
cooled impression  
trays with retention  
rim.



**MED-3317**  
"HYDRO-LOCK" stainless  
steel water-cooled  
impression trays with  
retention rim.



**MED -3318**  
"NEW SUPER" stainless  
steel impression trays  
with retention rim.



**MED -3319**  
"NEW SUPER" stainless  
steel impression trays  
with retention rim.



**MED -3320**  
"ANATOMIC" solid  
regular stainless  
steel impression  
trays without  
retention rim.



**MED -3321**  
"ANATOMIC" solid regular  
stainless steel impression  
trays without retention rim.



**MED-3322**  
Perforated-total  
denture stainless steel  
impression trays with  
rim.



**MED-3323**  
Perforated-total denture  
stainless steel  
impression trays with rim.

[Back to Index](#)

## Stainless Steel Impression Trays



**MED -3324**  
 "PERMA-LOCK" solid regular stainless steel impression trays with retention rim.



**MED -3325**  
 "PERMA-LOCK" solid regular stainless steel impression trays with retention rim.



**MED -3326**

**MED -3337**

**MED -3338**



**MED -3339**



**MED -3340**



**MED -3341**

### PACKINGS



**MED -3327**  
 Set of six



**MED -3328**  
 Set of Eight



**MED-3329**  
 Solid stainless steel anterior depressed impression trays with retention rim.



**MED -3542**



**MED -3543**



**MED -3544**



**MED-3345**



**MED -3346**



**MED -3347**



**MED -3330**  
 Solid stainless steel anterior depressed impression trays with retention rim.

[Back to Index](#)

## Stainless Steel Impression Trays

All Impression Trays Upper & Lower Type are available in S, M, L & XL Sizes



**MED -3331**  
Fig. 0 per bambini - for children



**MED -3332**  
For narrow toothed upper jaws



**MED -3333**  
Fig. 0 per bambini - for children



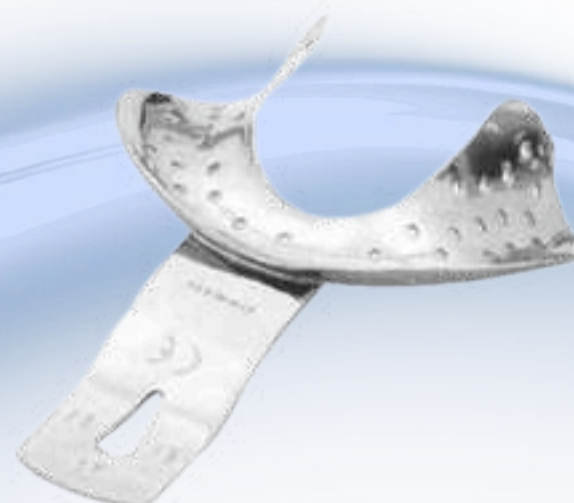
**MED -3334**  
For partially toothed upper jaws



**MED -3335**  
For partially toothed lower jaws



**MED -3336**  
For edentulous upper jaws



**MED -3337**  
For edentulous lower jaws

[Back to Index](#)

## Stainless Steel Impression Trays



**MED -3343**  
 Solid total denture stainless steel impression tray with rim.



**MED -3339**  
 Solid total denture stainless steel impression tray with rim.



**MED -3344**  
 "PERMA-LOCK" perforated regular stainless steel impression trays with retention rim.



**MED -3345**  
 "PERMA-LOCK" perforated regular stainless steel impression trays with retention rim.



**MED -3344**  
 Perforated stainless steel anterior depressed impression trays with retention rim.



**MED -3548**



**MED -3549**



**MED -3550**



**MED -3341**



**MED -3351**



**MED -3352**



**MED-3553**  
 Perforated stainless steel anterior depressed impression trays with retention rim.



**MED -3342**  
 Perforated stainless steel impression trays without retention rim for complete denture.



**MED-3343**  
 Perforated stainless steel impression trays without retention rim for complete denture.

[Back to Index](#)

## Syringes, Rulers, Band Adaptor, Position Gauge



**MED -2970  
Aspirating Syringe**



**MED -2971  
Position Gauge**



**MED -2972  
Breech Loading Syringe**



**MED -2973  
Aspirating & Breech Syringe**



**MED -2974  
Band Adaptor**



**MED -2975  
Endo Finger Ruler  
With Adjustable  
Slide**



**MED -2976  
Aspirating Syringe**

[Back to Index](#)

## Spatulas for Plaster and Alginate



[Back to Index](#)

## Spatulas for Plaster and Alginate



**MED -2910**  
**Fig. 7**  
19.5 cm

**MED -2911**  
**Fig. 8**  
20 cm

**MED -2912**  
**Fig. 9**  
22.5 cm

[Back to Index](#)

## Plaster Knives



**MED-2612**  
**Fig, 1**  
**17 cm**



**MED-2613**  
**Gritman**  
**Fig. 2**  
**17 cm**

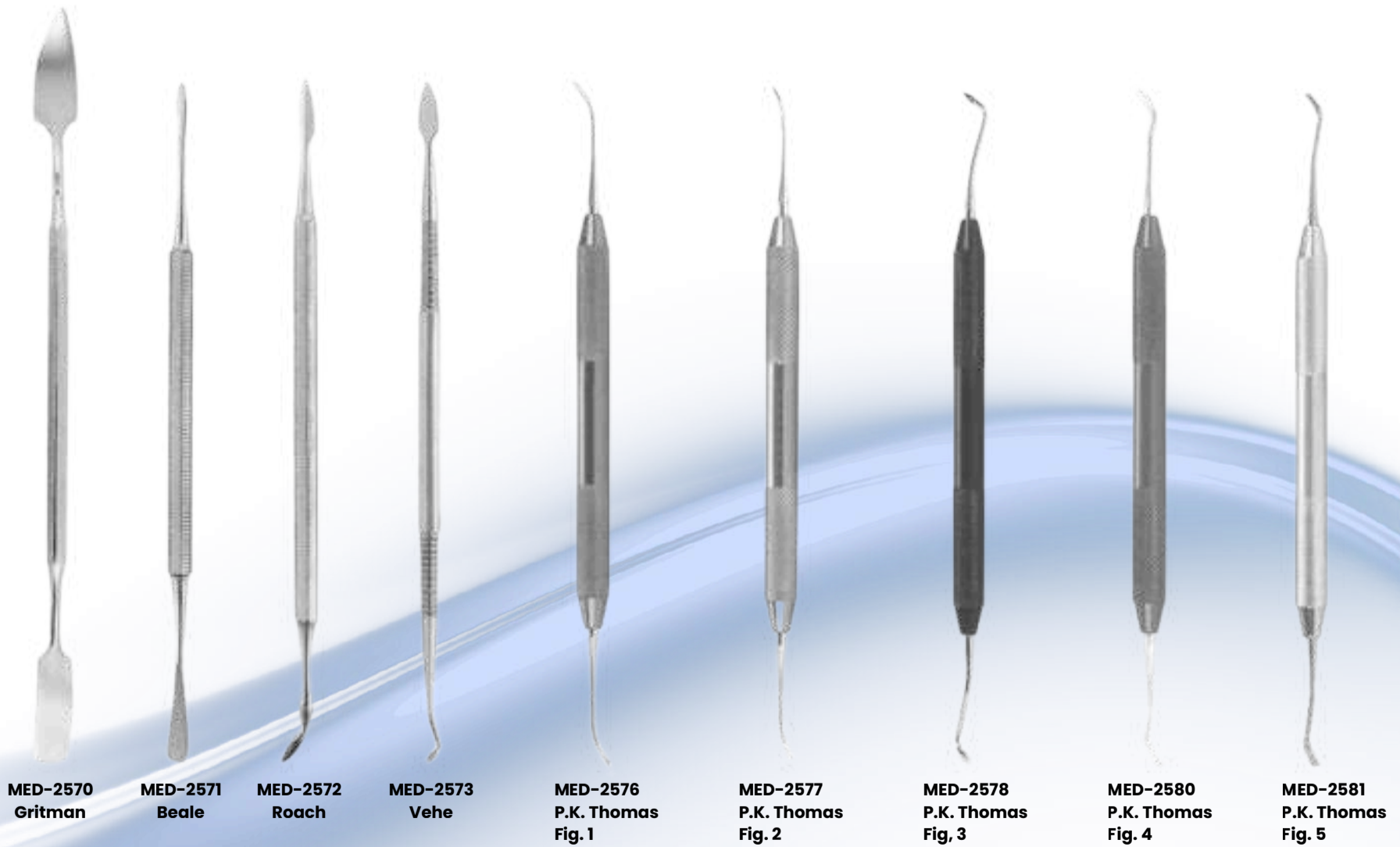
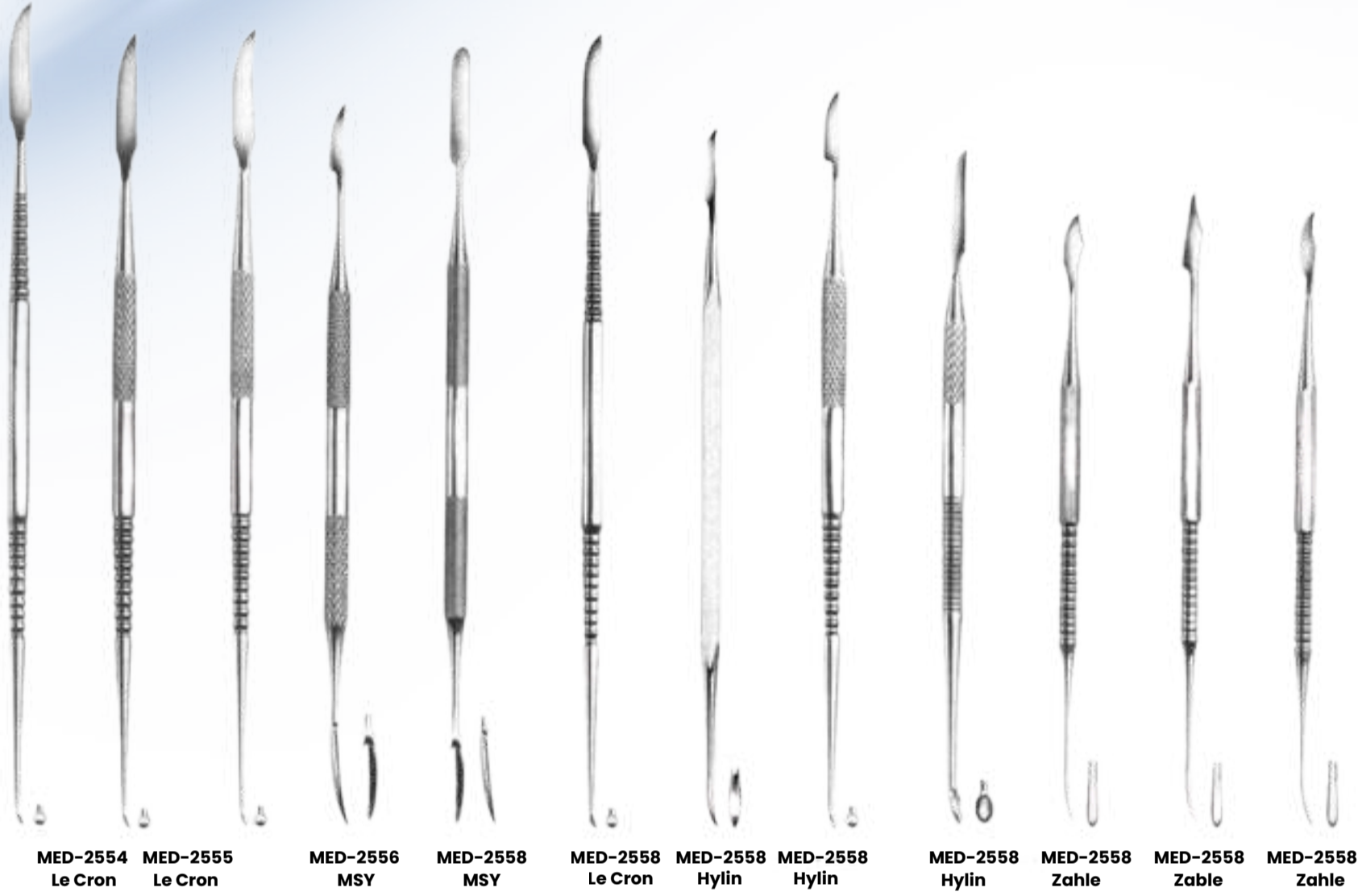


**MED-2614**  
**Fig, 3**  
**16 cm**



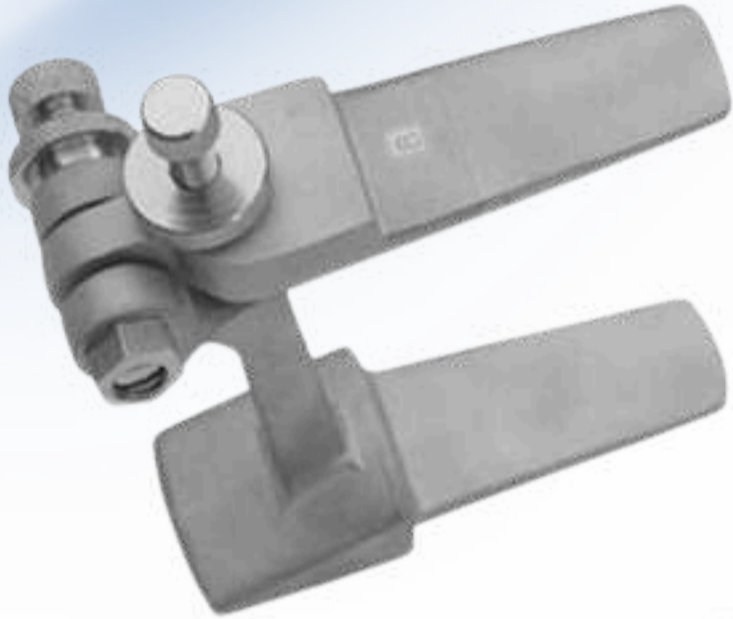
**MED-2615**  
**Fig, 4**  
**16 cm**

## Modelling Instruments



[Back to Index](#)

## Articulators



**MED-3276**



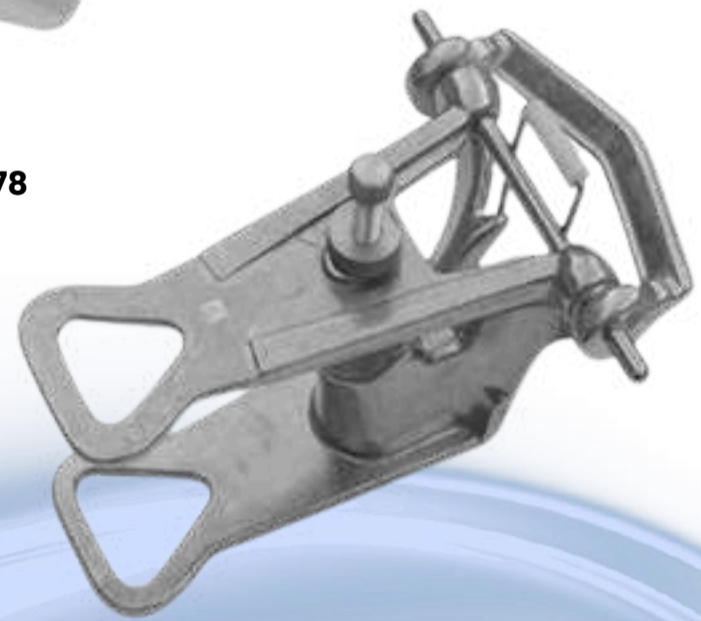
**MED-3277**



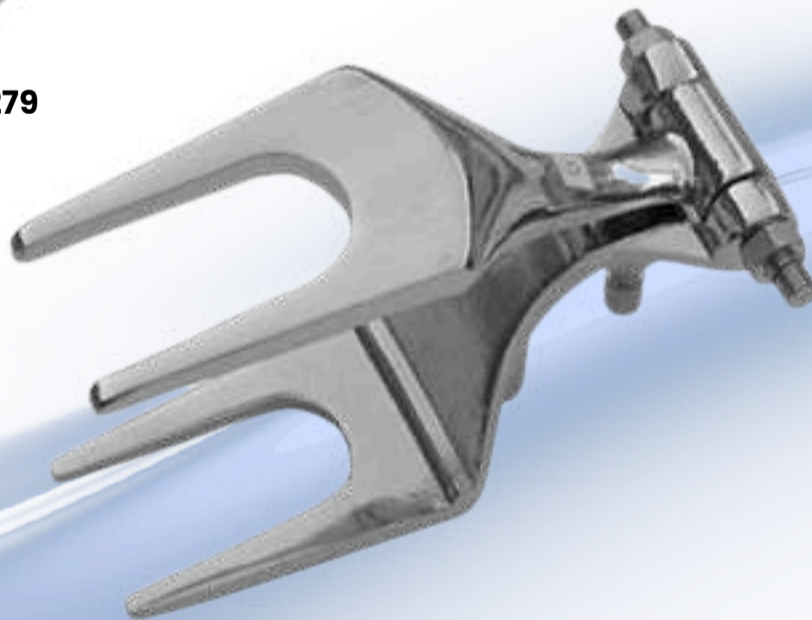
**MED-3278**



**MED-3279**



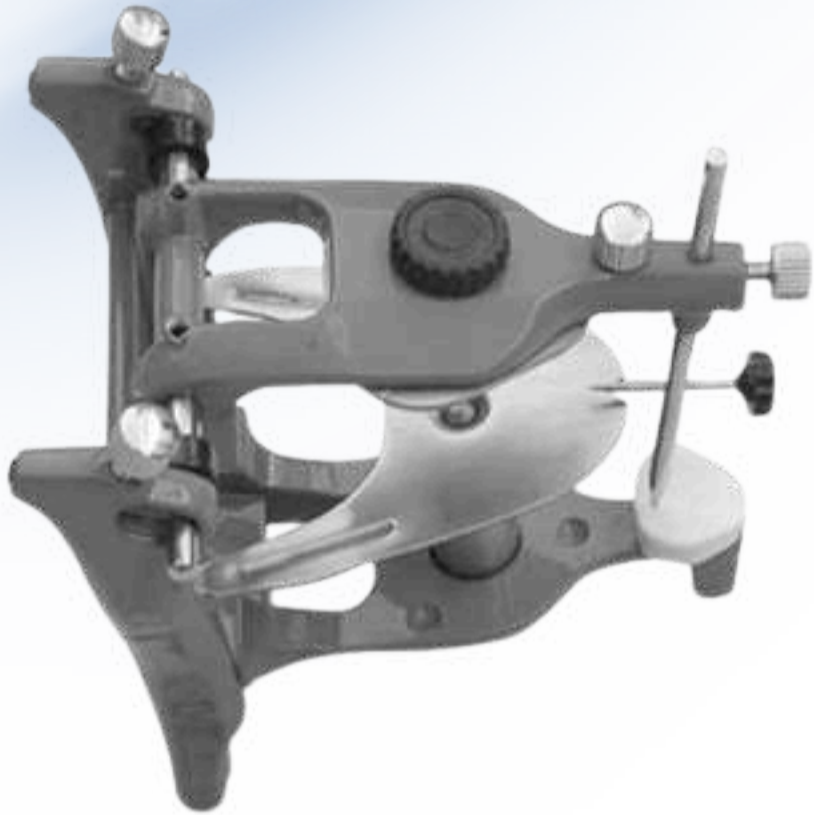
**MED-3282**



**MED-3281**

[Back to Index](#)

## Articulators



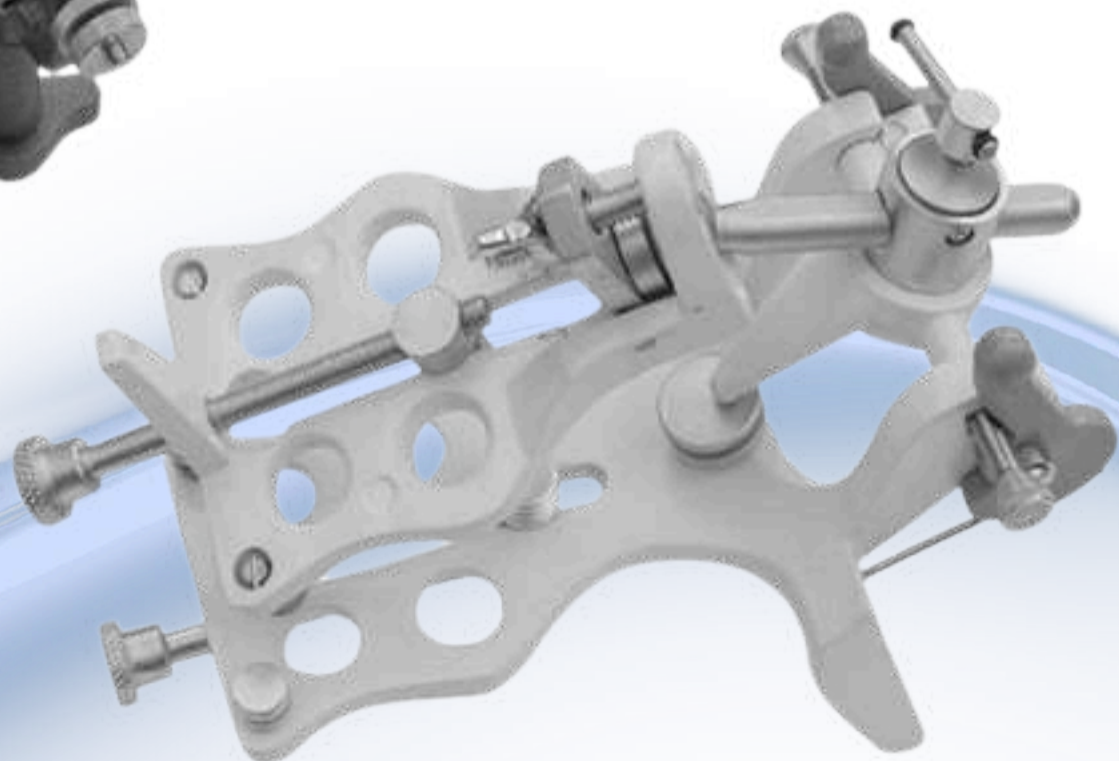
**MED-3282**



**MED-3283**



**MED-3284**



**MED-3285**

[Back to Index](#)